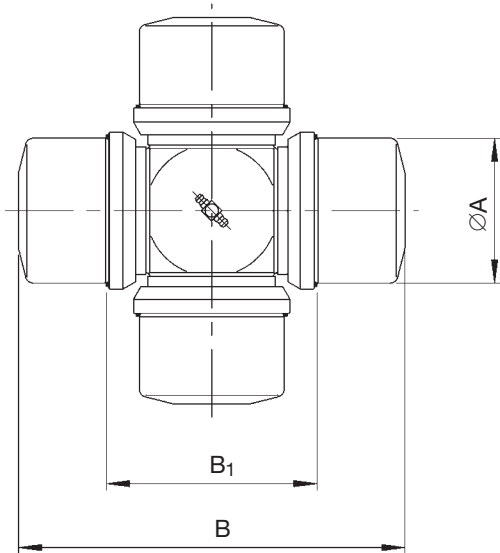
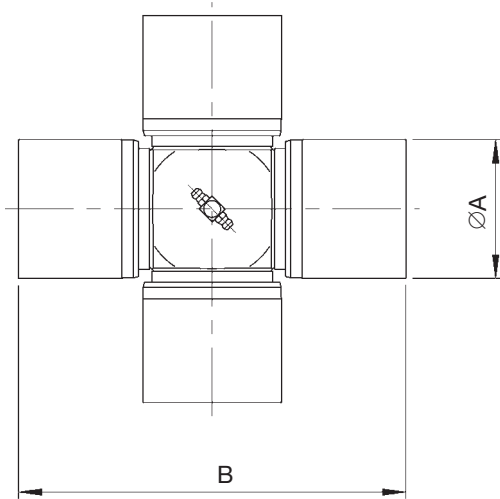


# Data sheet Journal cross assemblies (unit packs)

Design 7.06 journal cross, complete



Journal cross assemblies are only supplied as complete units. For orders, please state shaft size or, if known, the drawing number of the complete driveshaft. For lubrication of journal cross assemblies, see Installation and Maintenance/Safety Instructions.

\* The dimensions of the journal cross assemblies for series 392/393 are equal to 292.

Shaft size	Ø A mm	B mm
473.10	15	41
473.20	19	49,2
473.30	22	59
287.00	26	69,8
287.10	30	81,8
287.20	35	96,8
587.10	35	96,8
587.15	42	104,5
587.20	48	116,5
587.30	52	133
587.35/36	57	144
587.42	57	152,06
587.48	65	172
587.50	72	185
587.55	74	217
587.60	83	231,4
687/688.15	27,0	74,5
687/688.20	30,2	81,8
687/688.25	34,9	92,0
687/688.30	34,9	106,4
687/688.35	42,0	119,4
687/688.40	47,6	135,17
687/688.45	52,0	147,2
687/688.55	57,0	152,0
687/688.65	65,0	172,0

Shaft size	Ø A mm	B mm	B <sub>1</sub> mm
190.50	65	220	143
190.55	74	244	154
190.60	83	280	175
190.65	95	308	190
190.70	110	340	210
190.75	120	379	235
190.80	130	425	262
390.60	83	235,8	129
390.65	95	258,8	139
390.70	110	293,4	160
390.75	120	325,2	176
390.80	130	363,2	196
392.50*	74	222	129
392.55*	83	246	139
392.60*	95	279,6	160
392.65*	110	309,6	176
392.70*	120	343,4	196
393.75*	130	383,4	216
393.80*	154	430	250
393.85*	170	464	276
393.90*	195	530	315

**Ultra heavy-duty unit pack sets for series 398 have been discontinued.**

**They are still available for series 492 and 498 on request.**